

Original 1227™

Lamp with Wall Bracket

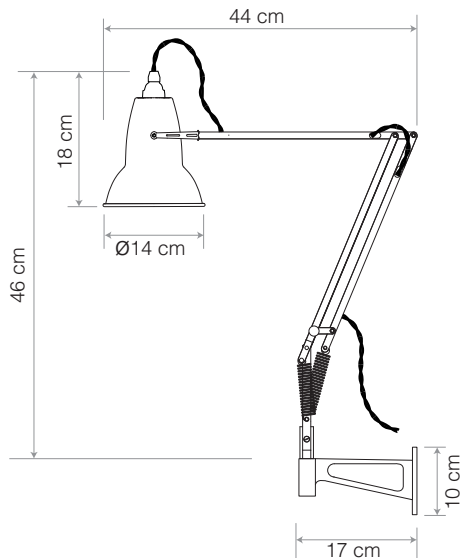
Original 1227™ Collection | Technical Sheet

ANGLEPOISE®

Launched In 2012 | Designed by George Carwardine



Max Horizontal Reach 87.5 cm
Max Vertical Reach 87 cm



Product

Lamp with Wall Bracket - Jet Black
Lamp with Wall Bracket - Linen White
Lamp with Wall Bracket - Dove Grey
Lamp with Wall Bracket - Bright Chrome

Accessories are colour-matched.
Lamps with accessories come with a table base.

Description

Our sturdy, multi-purpose Original 1227™ wall mounted lamp, with its flexible shade, articulated bracket and perfect balance, gives you all the benefits of the Original 1227™ desk lamps in a stylish, wall mounted form. Ideal for domestic or commercial use.

Materials

- Gloss paint finish
- Aluminium Shade and arms
- Chrome plated fittings
- Cast iron wall bracket
- Fabric cable
- IP20 rating

Dimensions

- Shade diameter: \varnothing 14cm
- Shade height: 18cm
- Max reach: 87.5cm (from wall to shade)
- Wall bracket (h x w x d): 10cm x 5.5cm x 17cm
- Cable length: 200cm
- Lamp Packaging (L x W x H): 35cm x 21.5cm x 52.5cm
- Lamp Packaged Weight: 5.6kg
- Bracket Packaging (L x W x H): 19cm x 10.5cm x 6cm
- Bracket Packaged Weight: 0.96kg

Electrical

- Voltage: 220/240V, 50/60Hz
- Class II - Double insulated
- Note: Bulb weight critical for balance. Approximate bulb weight 25-60g
- Inline cable switch (30cm from product)
- Plug: 2-pin Europlug to CEE 7/16
- E27 lamp holder
- Maximum permitted bulb: 10W MAX E27
- Supplied with compatible 5.5W LED E27 bulb
 - Luminous Intensity: 600lm
 - Life: 15,000 Hours
 - Non-dimmable
 - Colour Temperature: 2700K
 - CRI (Ra): 80



Bulb
included